



Performance			
Lamp	Number	1	
	Watts	1000W	
Input Volts	120V	208V	240V
Input Current	9.30A	5.10A	4.60A
Input Power	1085W	1060W	1055W
Min Power Factor	0.99		
THD	<10%		
Crest Factor	<1.7		

Physical		
Case Length	647mm	25.47"
Case Width	236mm	9.29"
Height	160mm	6.29"
Weight	5.6kg	12.35lb

Dimming Type						
Gear	600	750	825	1000	1150	EXT

- External control: 0-10V Master Controller

### Protections

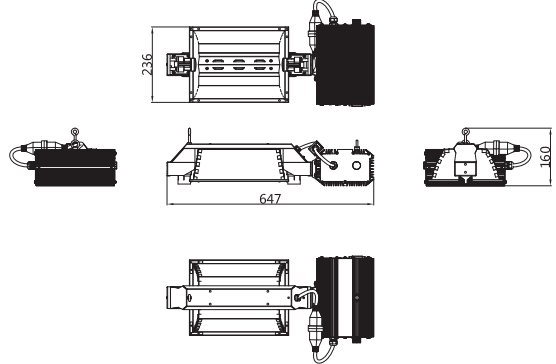
- End of Lamp Life (EOL) Protection.
- Short circuit protection.
- Open circuit protection.
- Ignition failure protection.
- Suitable for 0-10V Master Controller.

### Installation & Application Notes

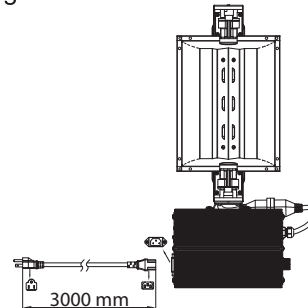
- Max. allowable case temperature: 75°C/167°F.
- Ambient temperature: -20 ~ +40°C/-4 ~ +104°F.
- Ignition voltage is 5kV.
- Max. humidity: 95%.
- Power must be cycled off, then on after replacing the lamp.
- Remote Mounting: 5m/16ft.

Performance Requirements	
Rated mains voltage	120-240V
Voltage range (+/-10%)	108-264V
Mains frequency	50/60Hz
Operation frequency	100-120kHz

### Main Dimension



### Wiring Diagram



Ballast Case must be Grounded

Tcase max=75°C/167°F

